

Alfa Laval SRU

Rotary lobe pump

Introduction

The Alfa Laval SRU Rotary Lobe Pump is a reliable positive displacement pump for the gentle handling of sensitive process fluids. The pump is carefully engineered to provide reliable performance, trouble-free operation and superior energy efficiency for demanding applications. It is an excellent choice for duties that require contamination-proof pumps to meet high standards of hygiene, low-shear and low-pulsation operation.

The pump is designed according to the most stringent hygienic design standards and with verified, effective Cleaning-in-Place.

Applications

The SRU Rotary Lobe Pump is designed for gentle handling of sensitive process fluids across the dairy, food, beverage, brewing, chemical, pharmaceutical, and home and personal care industries.

Its smooth, low-shear pumping action makes the pump suitable for handling media of varying viscosities, whether low or high—from creams, gels, emulsions, and aerated mixtures to delicate cells and organic solids in suspension.

The SRU Rotary Lobe Pump is available with 12 different pump head displacements based on six different gearbox modules to handle flow rates up to 106 m³/h and differential pressures up to 20 bar.

Benefits

- Consistent performance.
- Minimal risk of contamination.
- Low maintenance, increased process uptime.
- Modular design for greater flexibility to configure exactly the right solution for specific process requirements.

Standard design

All media contacting steel components, like the rotor case, front cover, rotors and rotor nuts, are in W. 1.4404 (AISI 316L). The robust stainless steel gearbox provides maximum shaft rigidity and easy oil seal replacement. The gearbox design is universal, which enables the flexibility of mounting pumps with the inlet and outlet ports in either a vertical or horizontal plane by changing the foot and its position.



The standard Alfa Laval SRU Rotary Lobe Pump has tri-lobe rotors. Optional bi-lobe rotors for handling fluids containing large delicate solids are available. All rotors are available in three temperature ratings enabling the pump to be operated at maximum process temperatures of 70°C, 130°C and 200°C for both fluid pumped and CIP.

Single, single flushed, and double mechanical shaft seals as well as packed gland, unflushed or flushed, are available.

The Alfa Laval SRU can be supplied either as a bare shaft pump or mounted on a base plate complete with coupling, guard, gear motor and shroud for easy, plug-and-play installation.

Working principle

A gear train in the pump gearbox drives the rotors and provides accurate synchronization of the tri-lobe rotors. The movement of the counter-rotating rotors creates a partial vacuum that allows atmospheric pressure or other external pressures to force fluid into the pump chamber. As the rotors revolve, an expanding cavity forms, filling with fluid. As the blades disengage, each dwell forms a cavity. As the rotor blades engage, the cavity diminishes and fluid is displaced into the outlet port.

TECHNICAL DATA

Standard specification

Product wetted steel parts:	W. 1.4404 (316L)
Inside surface finish:	Mech Ra ≤ 0.8
Gearbox:	Stainless steel
Base plate:	Stainless steel
Coupling guard:	Stainless steel
Rotor:	Tri-lobe, 70°C
Product wetted elastomers:	EPDM
Other elastomers:	NBR
Shaft seal:	Single mechanical (R90)
Rotary seal face:	Carbon
Stationary seal face:	Stainless steel

Shaft seals

Single, single flush, double mechanical and packed gland, flushed and unflushed, available. For EHEDG compliance Hyclean type must be used.

Max flush pressure, single flush:	0.5 bar
Max flush pressure, double mechanical:	1 bar over product pressure
Max flush pressure, packed gland, flushed:	1 bar over product pressure
Water consumption, flushed or double mechanical:	0.5 l/min
Flush connections:	BSPT or NPT

Temperature

Max process and CIP temperature (dependent on rotor selection)	70°C, 130°C or 200°C
--	----------------------

Motor

Gear motor, 4 poles, to IEC metric standard, 50/60 Hz, suitable for frequency conversion, IP55, insulation class F.

Warranty

Extended 3-years warranty on SRU pumps. The warranty covers all non wear parts on the condition that genuine Alfa Laval Spare Parts are used.

Flows/Pressures/Connections

SRU Series	Build Selection			SRU Model	Displacement			Inlet and Outlet Connection Size				Differential Pressure (see note 1)		Maximum Speed rev/min
	Pump Head Code	Gear-box	Shaft		Litres/rev	Imp gall/100 rev	US gall/100 rev	Hygienic		Enlarged		bar	psi	
				mm				in	mm	in				
1	005	L or H	D	SRU1/005/LD or HD	0.053	1.17	1.4	25	1	-	-	8	115	1000
	008	L or H	D	SRU1/008/LD or HD	0.085	1.87	2.25	25	1	40	1.5	5	75	1000
2	013	L or H	S	SRU2/013/LS or HS	0.128	2.82	3.38	25	1	40	1.5	10	145	1000
	013	L or H	D	SRU2/013/LD or HD	0.128	2.82	3.38	25	1	40	1.5	15	215	1000
	018	L or H	S	SRU2/018/LS or HS	0.181	3.98	4.78	40	1.5	50	2	7	100	1000
	018	L or H	D	SRU2/018/LD or HD	0.181	3.98	4.78	40	1.5	50	2	10	145	1000
	027	L or H	S	SRU3/027/LS or HS	0.266	5.85	7.03	40	1.5	50	2	10	145	1000
	027	L or H	D	SRU3/027/LD or HD	0.266	5.85	7.03	40	1.5	50	2	15	215	1000
3	038	L or H	S	SRU3/038/LS or HS	0.384	8.45	10.15	50	2	65	2.5	7	100	1000
	038	L or H	D	SRU3/038/LD or HD	0.384	8.45	10.15	50	2	65	2.5	10	145	1000
	055	L or H	S	SRU4/055/LS or HS	0.554	12.19	14.64	50	2	65	2.5	10	145	1000
4	055	L or H	D	SRU4/055/LD or HD	0.554	12.19	14.64	50	2	65	2.5	20	290	1000
	079	L or H	S	SRU4/079/LS or HS	0.79	17.38	20.87	65	2.5	80	3	7	100	1000
	079	L or H	D	SRU4/079/LD or HD	0.79	17.38	20.87	65	2.5	80	3	15	215	1000
5	116	L or H	S	SRU5/116/LS or HS	1.16	25.52	30.65	65	2.5	80	3	10	145	600
	116	L or H	D	SRU5/116/LD or HD	1.16	25.52	30.65	65	2.5	80	3	20	290	600
	168	L or H	S	SRU5/168/LS or HS	1.68	36.95	44.39	80	3	100	4	7	100	600
	168	L or H	D	SRU5/168/LD or HD	1.68	36.95	44.39	80	3	100	4	15	215	600
	260	L or H	S	SRU6/260/LS or HS	2.60	57.20	68.70	100	4	100	4	10	145	600
6	260	L or H	D	SRU6/260/LD or HD	2.60	57.20	68.70	100	4	100	4	20	290	600
	353	L or H	S	SRU6/353/LS or HS	3.53	77.65	93.26	100	4	150	6	7	100	600
	353	L or H	D	SRU6/353/LD or HD	3.53	77.65	93.26	100	4	150	6	15	215	600

L - Horizontal Porting

H - Vertical Porting

S - Stainless Steel

D - Duplex Stainless Steel

Note 1. These pressure ratings may vary for pumps with certain threaded connections.

Maximum Solid Size Capability

	Max. size of spherical solids			
	Bi-lobe rotors		Tri-lobe rotors	
	mm	in	mm	in
SRU1/005	8	0.31	6	0.24
SRU1/008	8	0.31	6	0.24
SRU2/013	8	0.31	6	0.24
SRU2/018	13	0.51	9	0.35
SRU3/027	13	0.51	9	0.35
SRU3/038	16	0.63	11	0.43
SRU4/055	16	0.63	11	0.43
SRU4/079	22	0.87	15	0.59
SRU5/116	22	0.87	15	0.59
SRU5/168	27	1.06	18	0.71
SRU6/260	27	1.06	18	0.71
SRU6/353	37	1.46	24	0.94

Weight

	Bare Shaft Pump (kg)	
	Horizontal porting	Vertical porting
SRU1/005	15	16
SRU1/008	17	18
SRU2/013	28	30
SRU2/018	29	31
SRU3/027	53	56
SRU3/038	56	59
SRU4/055	105	111
SRU4/079	110	116
SRU5/116	148	185
SRU5/168	156	193
SRU6/260	228	260
SRU6/353	233	265

Shaft Seal Options

- Single or single flush/quench. R90 or Hyclean type mechanical seals.
- Double R90 type mechanical seal for flush (steam barrier for aseptic application).
- Packed gland (unflushed or flushed versions).



Note! EHEDG compliance only for Hyclean type mechanical seals.

Materials for Mechanical Seals

Carbon/Stainless steel, Tungsten Carbide/Tungsten Carbide, Silicon Carbide/Silicon Carbide or variations of these materials to suit fluid being pumped and/or application requirements. (N.B. Material variants are not available on all R90/Hyclean seal types).

Pump Sizing

In order to correctly size a rotary lobe pump some essential information is required. Provision of this information listed below enables our Technical Support personnel to obtain the optimum pump selection.

Product/Fluid Data

- Fluid to be pumped
- Viscosity
- SG/Density
- Pumping temperature, minimum, normal and maximum
- Cleaning in Place temperature(s), minimum, normal and maximum

Performance Data

- Flow rate, minimum, normal and maximum
- Discharge head/pressure (closest to pump outlet)
- Suction condition

Standard Specification Options

- Specification of inlet and outlet ports (Screwed male to BSP, DIN11851, SMS, ISS/IDF, RJT, or Flanged to EN1092-1 B1 PN16, ASA/ANSI 150, BS10E and other standards).
- Rotorcase Cover with integral Pressure Relief Valve.
- Heating/Cooling Saddle Jackets for Rotorcase and Jacket for Rotorcase Cover (not available when relief valve fitted).
- Bi-lobe Rotors in stainless steel and non-galling alloy.
- Full material traceability on request to BS EN10204 3.1.
- ATEX compliance.
- Complete pump unit comprising: Pump + Baseplate (mild or stainless steel) + coupling with guard + Geared electric motor suitable for (or supplied with) frequency speed control or manual variable speed drive (advise motor enclosure and electrical supply).

Dimensions (mm)

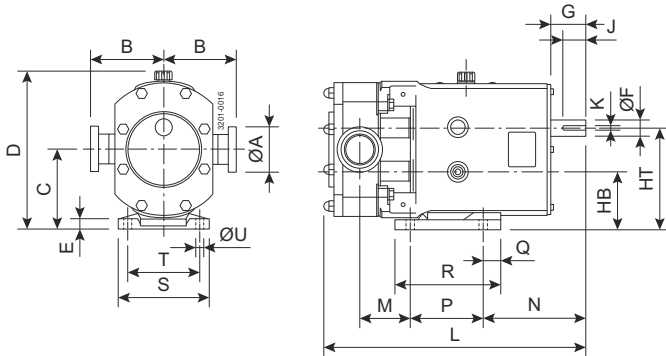


Figure 1. Horizontally ported

A1 — denotes hygienic port dimension

A2 — denotes enlarged port dimension

PUMP	A1	A2	B	C	D	E	F	G	HB	HT	J	K	L	M	N	P	Q	R	S	T	U
SRU1/005/L	25	-	95	90.5	189	10	16	40	68	113	30	5	284	42	124	80	10	100	100	80	10
SRU1/008/L	25	40	95	90.5	189	10	16	40	68	113	30	5	294	48	124	80	10	100	100	80	10
SRU2/013/L	25	40	105	115	233	16	22	50	85	145	32	6	339	60	131	100	19	132	124	100	12
SRU2/018/L	40	50	105	115	233	16	22	50	85	145	32	6	349	63.5	131	100	19	132	124	100	12
SRU3/027/L	40	50	125	137.5	272	18	28	60	100	175	40	8	439	82.5	176	125	30	181	154	125	14
SRU3/038/L	50	65	125	137.5	272	18	28	60	100	175	40	8	452	87	176	125	30	181	154	125	14
SRU4/055/L	50	65	150	163	325	20	38	80	115	211	63	10	541	101	224	150	35	202	184	150	14
SRU4/079/L	65	80	150	163	325	20	38	80	115	211	63	10	558	110	224	150	35	202	184	150	14
SRU5/116/L	65	80	175	195	382	22	45	110	135	255	70	14	629	96.5	279	180	35	240	210	180	14
SRU5/168/L	80	100	175	195	382	22	45	110	135	255	70	14	652	108	279	180	35	240	210	180	14
SRU6/260/L	100	-	190	225	436	22	48	110	155	295	70	14	748	124	267	260	20	300	220	190	14
SRU6/353/L	100	150	190	225	436	22	48	110	155	295	70	14	778	139.5	267	260	20	300	220	190	14

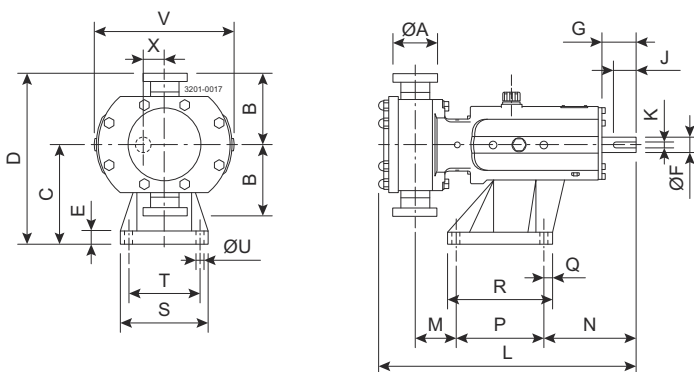


Figure 2. Vertically ported

A1 — denotes hygienic port dimension

A2 — denotes enlarged port dimension

PUMP	A1	A2	B	C	D	E	F	G	J	K	L	M	N	P	Q	R	S	T	U	V	X
SRU1/005/H	25	-	95	113	208	15	16	40	30	5	284	49	117	80	22	114	104	80	10	174	22.5
SRU1/008/H	25	40	95	113	208	15	16	40	30	5	294	55	117	80	22	114	104	80	10	174	22.5

PUMP	A1	A2	B	C	D	E	F	G	J	K	L	M	N	P	Q	R	S	T	U	V	X
SRU2/013/H	25	40	105	147	252	16	22	50	32	6	339	67	124	100	12	124	124	100	12	213	30
SRU2/018/H	40	50	105	147	252	16	22	50	32	6	349	70.5	124	100	12	124	124	100	12	213	30
SRU3/027/H	40	50	125	175	300	22	28	60	40	8	439	67.5	161	155	15	185	155	125	14	246	37.5
SRU3/038/H	50	65	125	175	300	22	28	60	40	8	452	72	161	155	15	185	155	125	14	246	37.5
SRU4/055/H	50	65	150	213	363	25	38	80	63	10	541	78	197	200	17	234	184	150	14	301	48
SRU4/079/H	65	80	150	213	363	25	38	80	63	10	558	87	197	200	17	234	184	150	14	301	48
SRU5/116/H	65	80	175	257	432	27	45	110	70	14	629	91.5	264	200	20	240	220	180	14	351	60
SRU5/168/H	80	100	175	257	432	27	45	110	70	14	652	103	264	200	20	240	220	180	14	351	60
SRU6/260/H	100	-	190	295	485	27	48	110	70	14	748	124	267	260	20	300	250	210	14	400	70
SRU6/353/H	100	150	190	295	485	27	48	110	70	14	778	139.5	267	260	20	300	250	210	14	400	70

This document and its contents are subject to copyrights and other intellectual property rights owned by Alfa Laval Corporate AB. No part of this document may be copied, re-produced or transmitted in any form or by any means, or for any purpose, without Alfa Laval Corporate AB's prior express written permission. Information and services provided in this document are made as a benefit and service to the user, and no representations or warranties are made about the accuracy or suitability of this information and these services for any purpose. All rights are reserved.

How to contact Alfa Laval

Up-to-date Alfa Laval contact details for all countries are always available on our website at www.alfalaval.com